

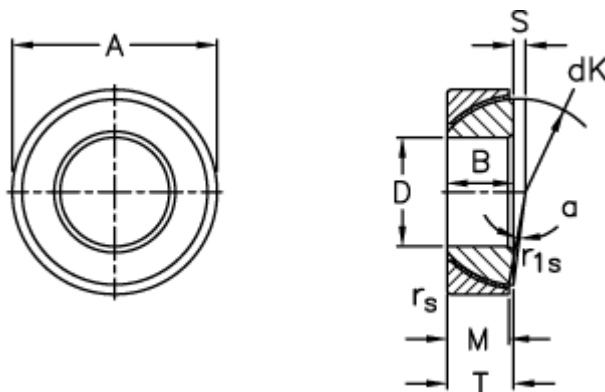
# Data Sheet



Article number: 03510040

Description: Fluro Rod end GE 40SW

## Measures



A	= 68 0 -0,016	Static load C0 (kN)	= 362
B	= 19	T	= 19 +0,25 -0,40
D	= 40 0 -0,012	Tilt angle	= 0.5
dK	= 62	Weight	= 327
Dynamic load C (kN)	= 181		
M	= 17		
rs, r1s min	= 1		
S	= 2.8		